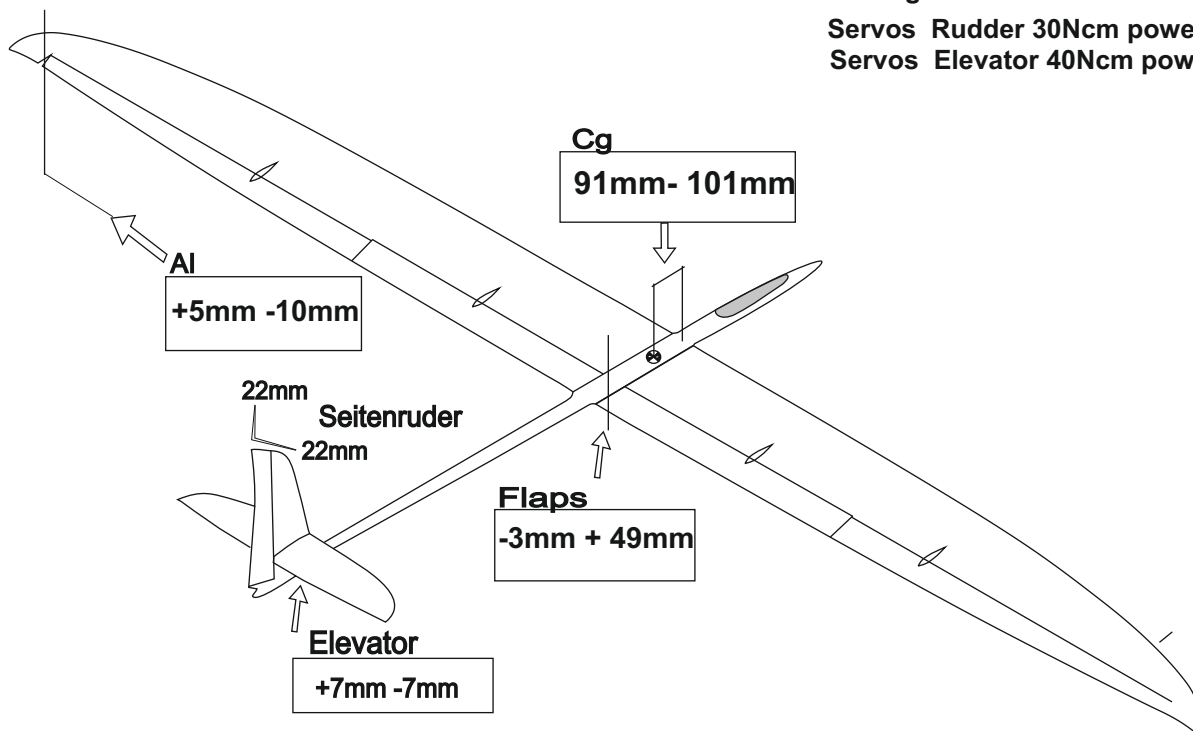


Servos Ailerons 40Ncm power
metal gears

Servos Rudder 30Ncm power
Servos Elevator 40Ncm power



Flight phase F 3B

Control surface	
(+ : down, - : Up)	
Center of gravity	91mm- 101mm
start.hook in front of Cg	4-6 mm
Ailerons:	+5mm -10mm
Flaps max :	-3mm + 49mm
Rudder :	22mm
Elevator : +	+7mm -7mm
Elevator : V	+6mm -6mm
FL-AI- Mix : Start	+4mm +2mm
FL-AI- Mix : Flight	+2mm +1mm
FL-AI- Mix : Route	-1mm 0mm
FL-AI- Mix : speed	-2mm 0mm
Butterfly / brake : FL-AI-	+48mm -14mm
HLW compensation	-2 -4mm