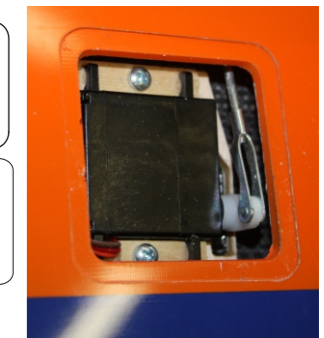
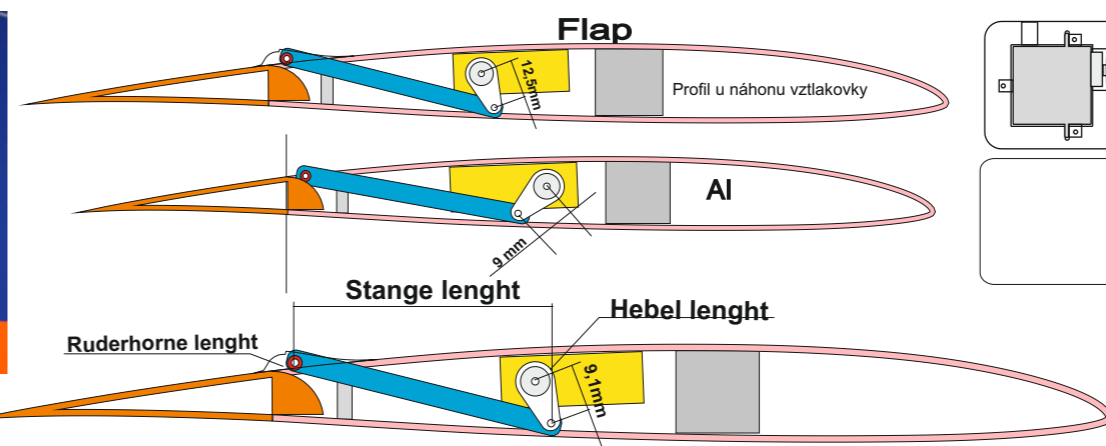
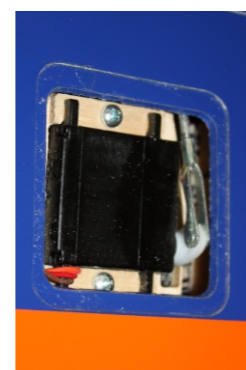
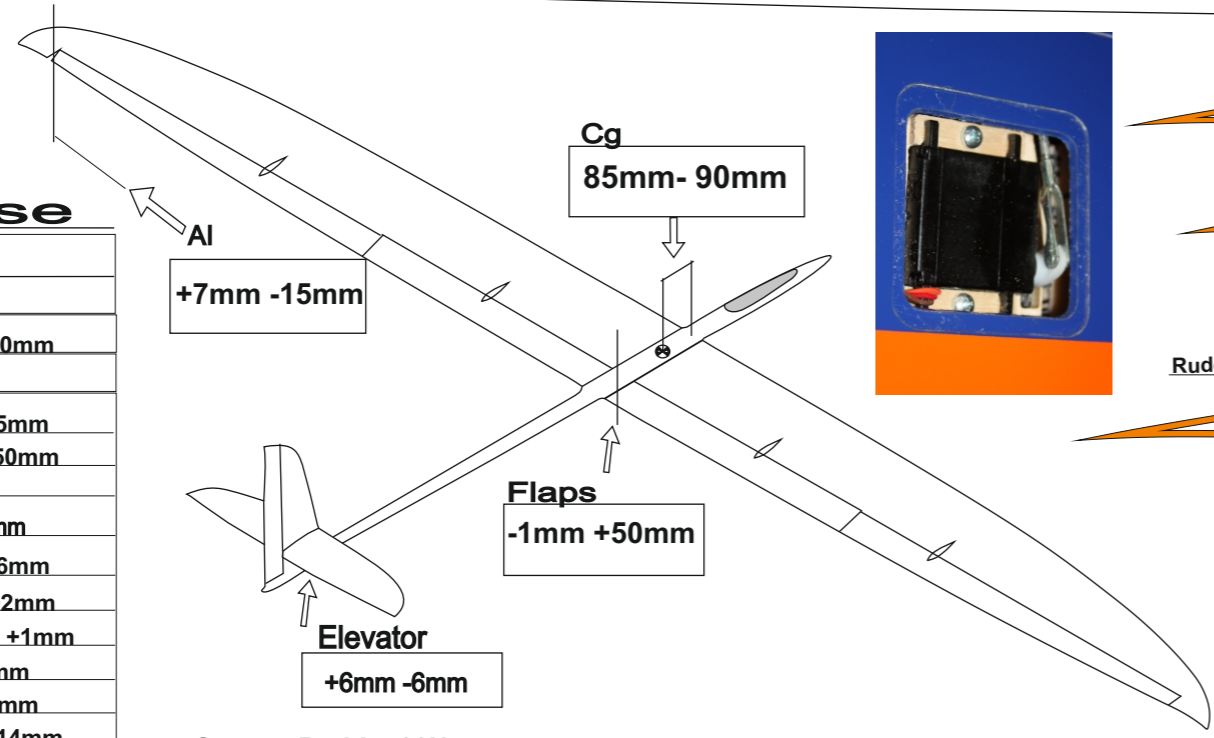
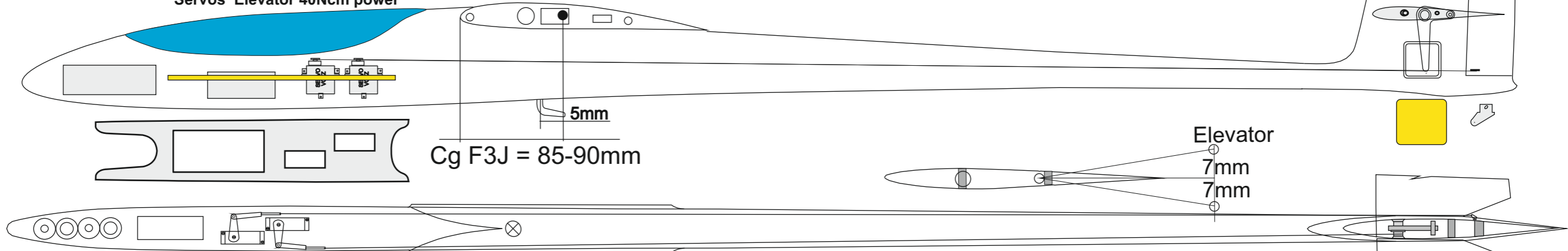


Flight phase

control surface (+ : down, - : up)	
Center of gravity	85mm- 90mm
Hook in front of Cg	4-6 mm
Ailerons:	+7mm -15mm
Flaps :	-1mm + 50mm
Rudder :	24mm
Elevator : +	+6mm -6mm
Elevator : V	+7mm -6mm
FL-AI- Mix : Start	+8mm +2mm
FL-AI- Mix : Flight	+1,5mm +1mm
FL-AI- Mix : Route	-1mm 0mm
FL-AI- Mix : Speed	-1mm 0mm
Butterfly / brake : FL-AI-	+50mm -14mm
HLW compensation	+3mm



Rudd./function	Servo hebel lenght	Stange lenght	Ruderhorne lenght
Ailerons	9mm	57mm	9,6mm
Flaps	12,5mm	64mm	12,5mm
Elevator	14,mm		done
Rudder	14mm		6,mm



Cables

